

Application

Type 1 + 2 SPD ' s have characteristics of type 1 but also type 2, they are capable of discharging a very high lightning current (T1 10/350μs) and they have as well a low residual voltage (Up). They are installed in the main distribution switchboard but also in subdistribution board. Because of their power, Type 1 + 2 SPD ' s can let pass through a too high residual voltage, if the announced Up is not compatible with the withstand voltage of the equipment to protect or if the cable length to the equipment is longer than 10m.



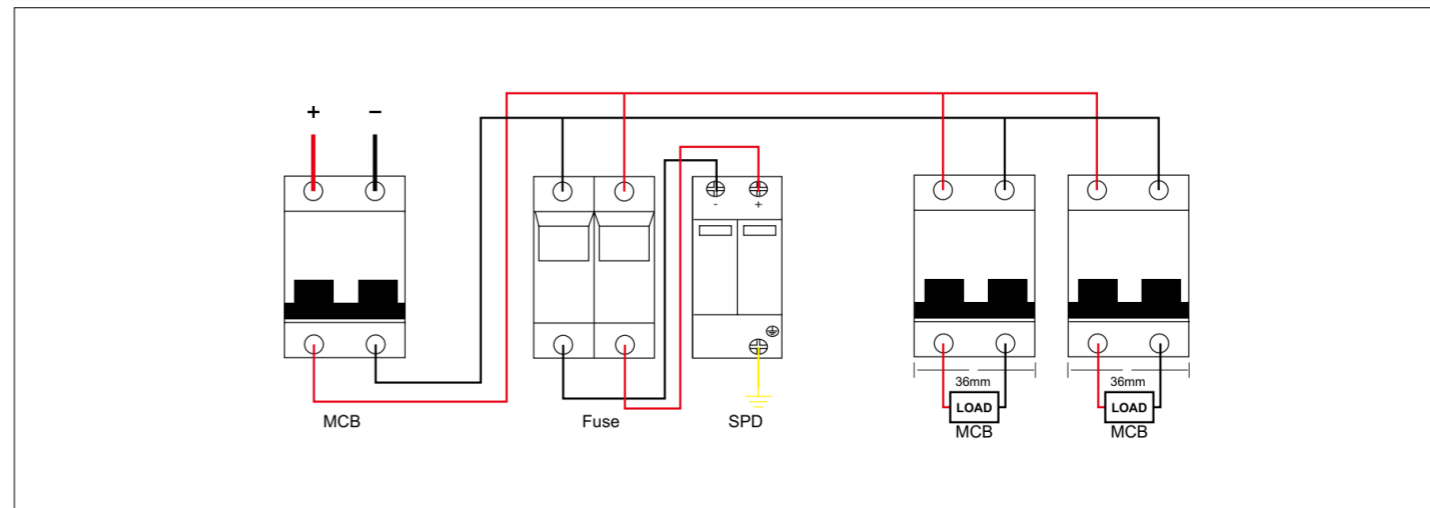
Specifications

Product Model	YTTS1-B+C/12.5
Pole	2P
Rated Frequency	One port
SPD Category	Combined type
Test Category	Class I+II test
Maximum Continuous Operating Voltage Uc	275VAC
Voltage Protection Level Up(8/20μs)	≤1.5kV
Nominal Discharge Current In(8/20μs)	20kA
Maximum Discharge Current I _{max} (8/20μs)	40kA
Impulse current I _{imp} (10/350μs)	12.5kA
Response Time tA	≤25ns
Size	36x90x80
Failure Indication	Green: Normal Red: Failure
Sectional Area Of Wires	6~25mm ²
Installation Method	35mm standard rail
Working Environment Temperature	-40°C ~ +85°C
Sheathing Material	Plastic
Protection Level	IP20
Executive Standard	IEC 61643-11

Features

1. Inside over-current and over-heat protection, temperature control open circuit.
2. Module design, convenient installation, could be replaced.
3. Time of response <25ns
4. The color of visible window shows operating status, green means normal, red means abnormal.

Wiring diagram



Dimension

